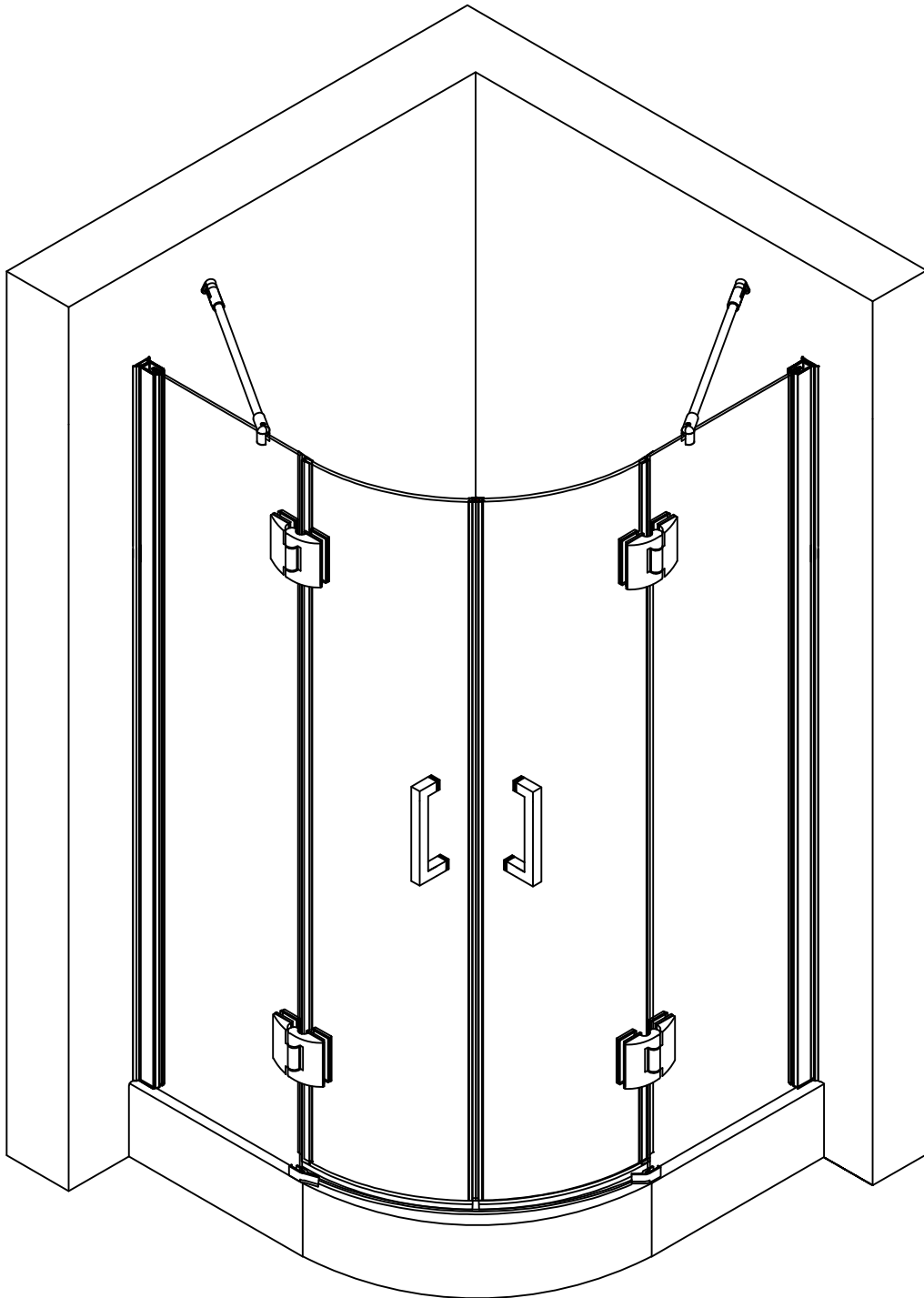
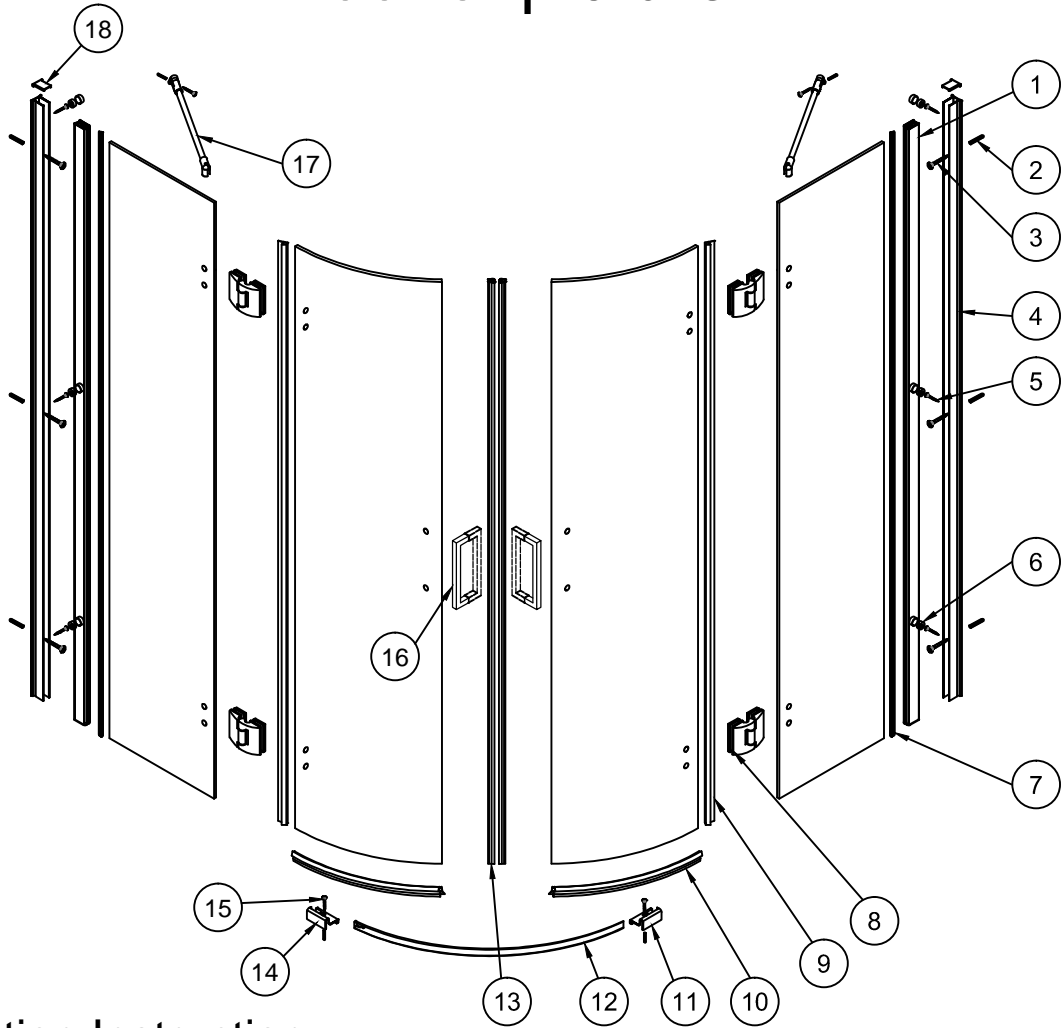


10023 picture 1

Product Installation Manual

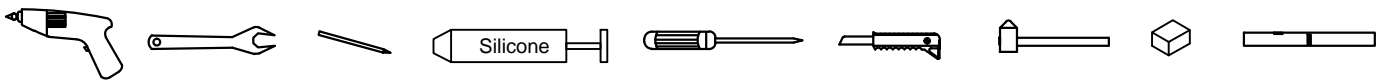


10023 picture 2




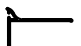









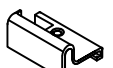


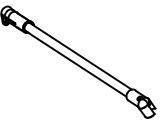
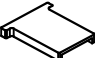


Installation Instruction

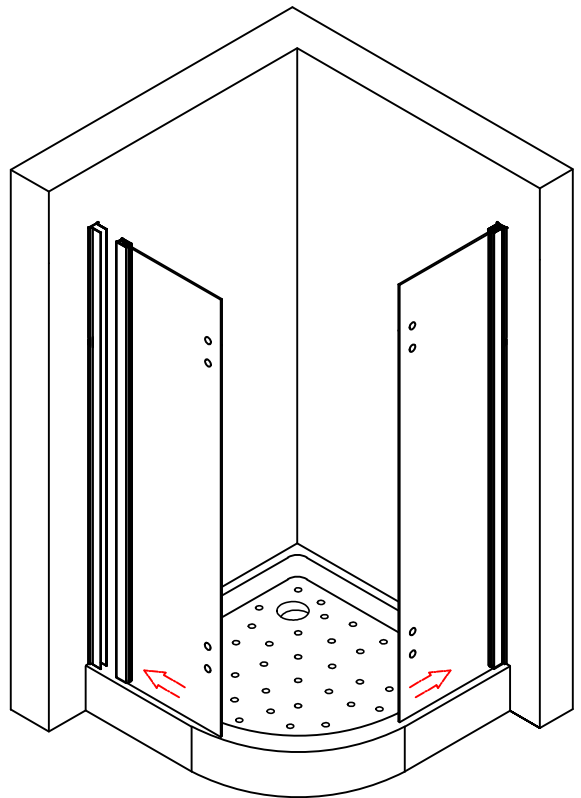
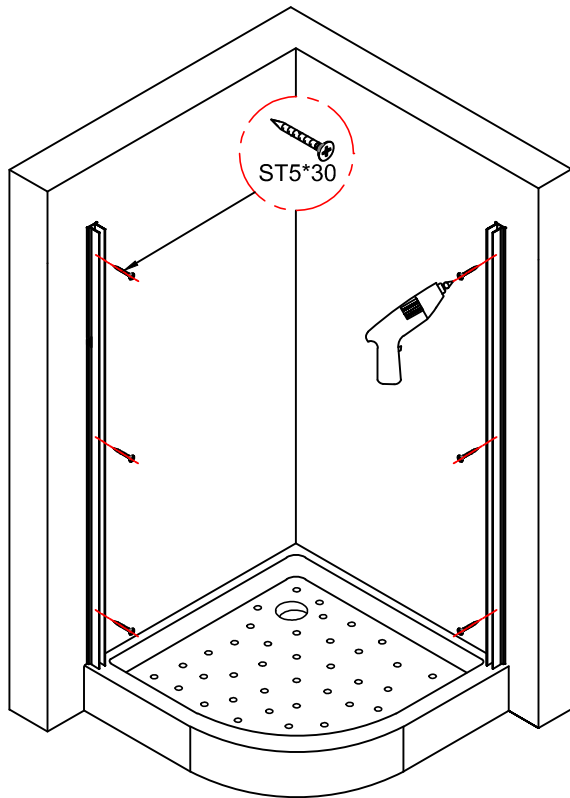
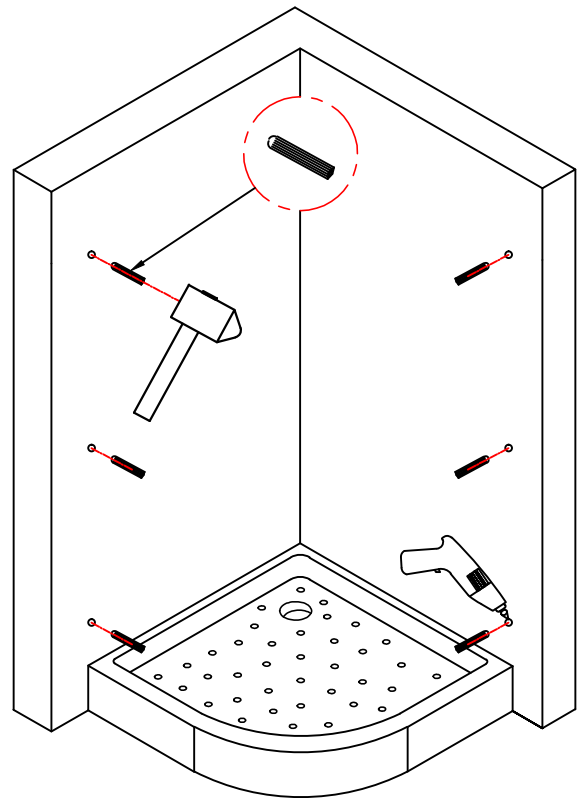
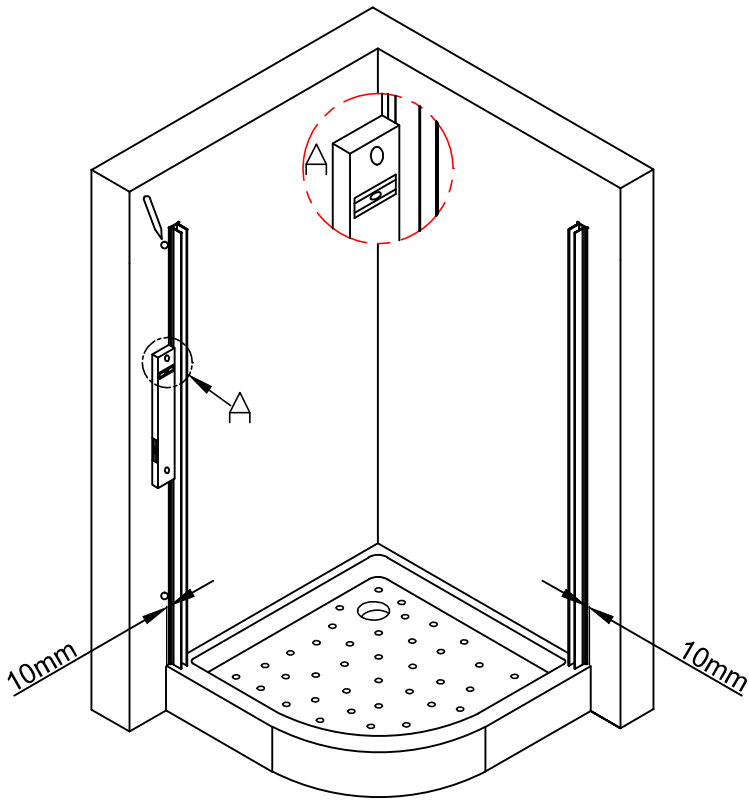
Necessary Tools for Installation



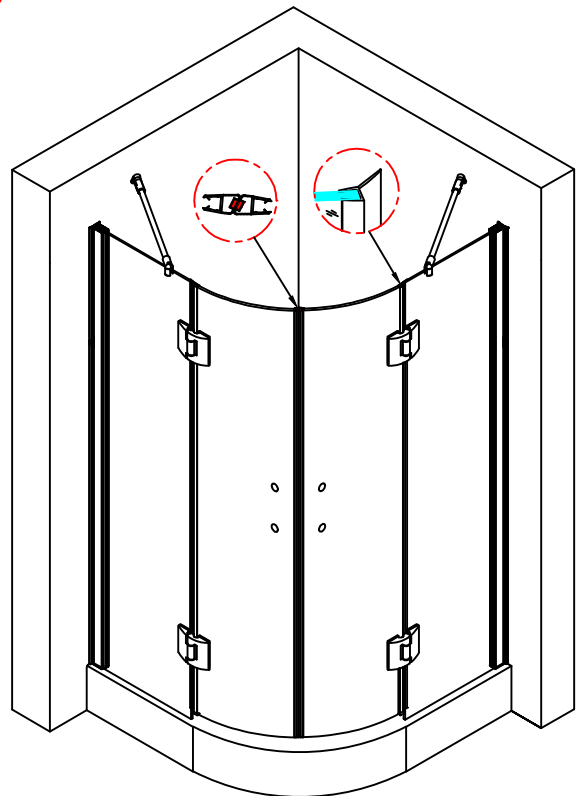
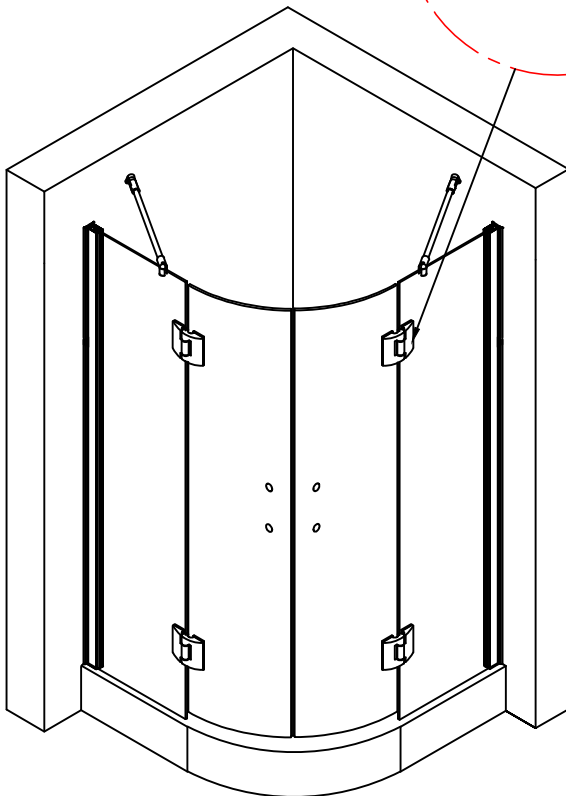
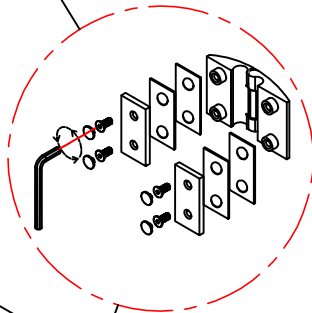
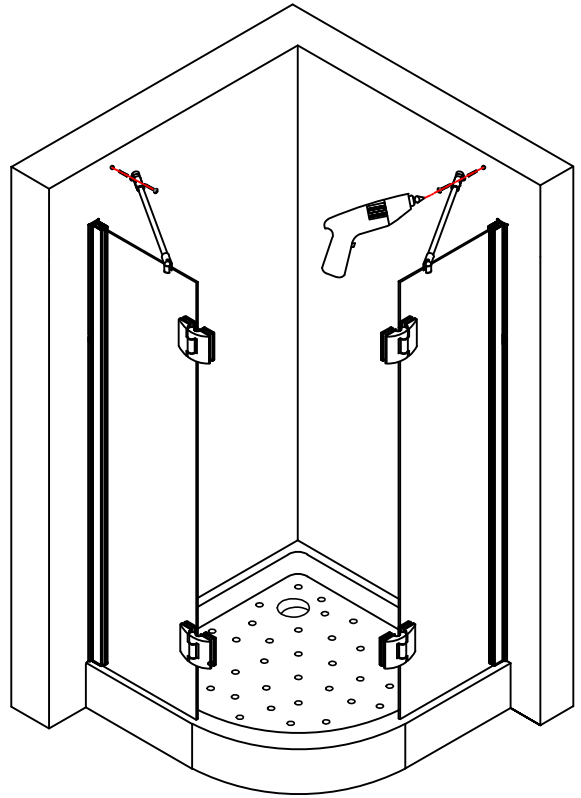
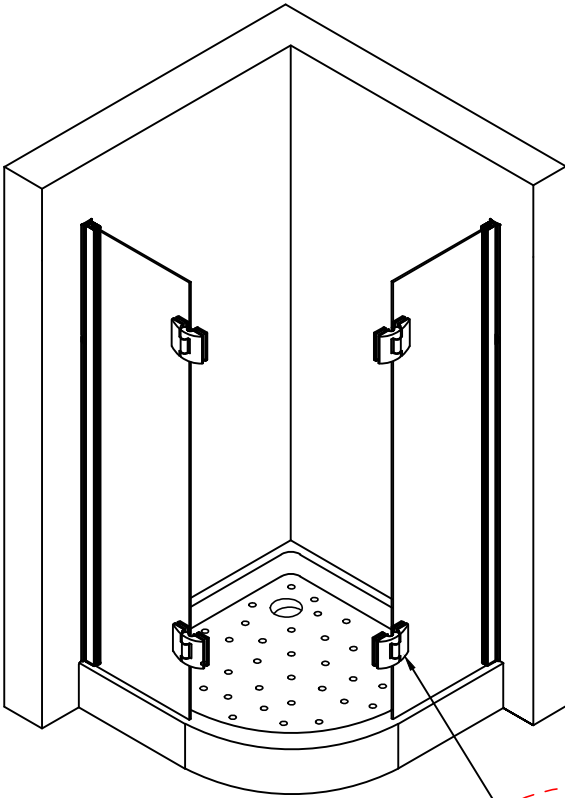
Product Breakdown List

①	 2 PCS	②	 10 PCS	③	 ST5*30 8 PC	④	 2 PCS	⑤	 ST4*12 6 PC
⑥	 6 PCS	⑦	 2 PCS	⑧	 2 PCS	⑨	 2 PCS	⑩	 2 PCS
⑪	 1 PC	⑫	 1 PC	⑬	 2 PCS	⑭	 1 PC	⑮	 ST4*16 2 PC
⑯	 2 PCS	⑰	 2 PCS	⑱	 2 PCS				

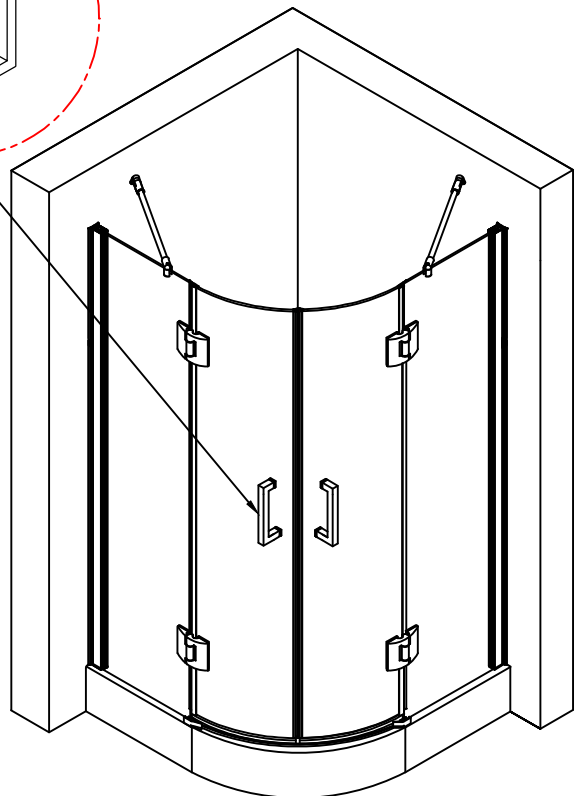
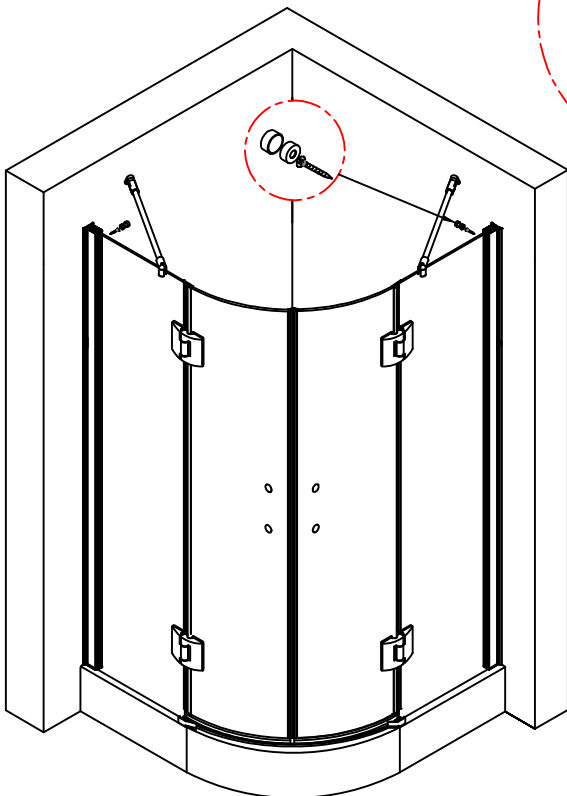
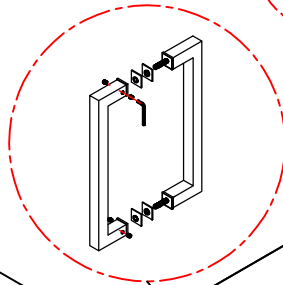
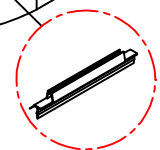
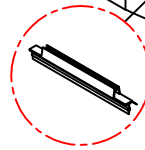
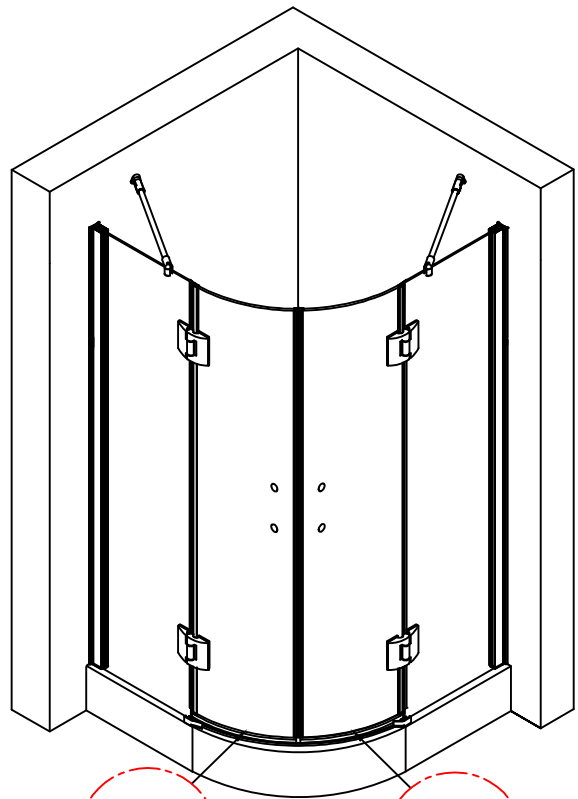
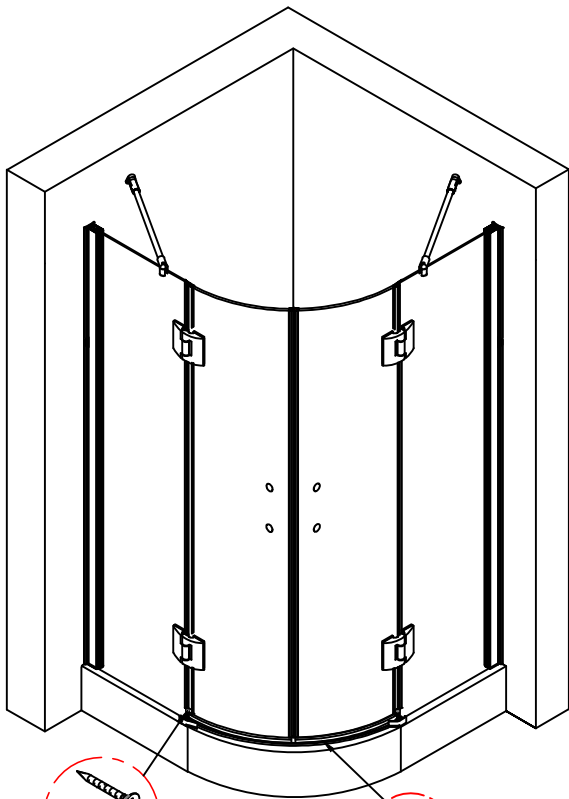
10023 picture 3



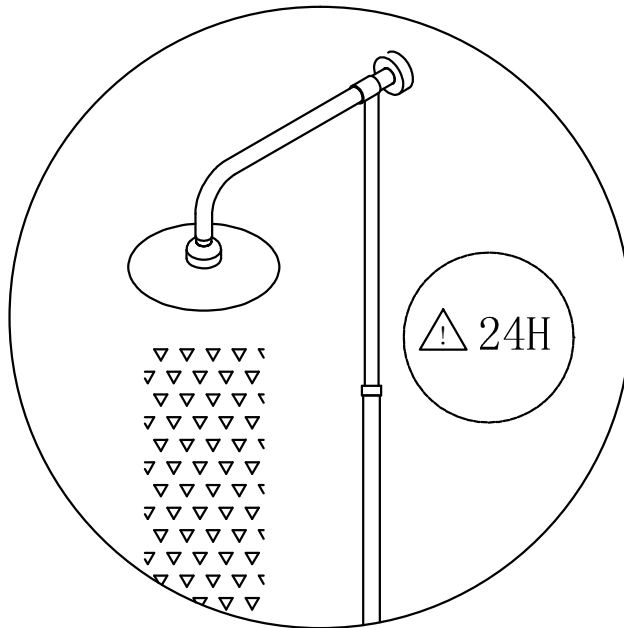
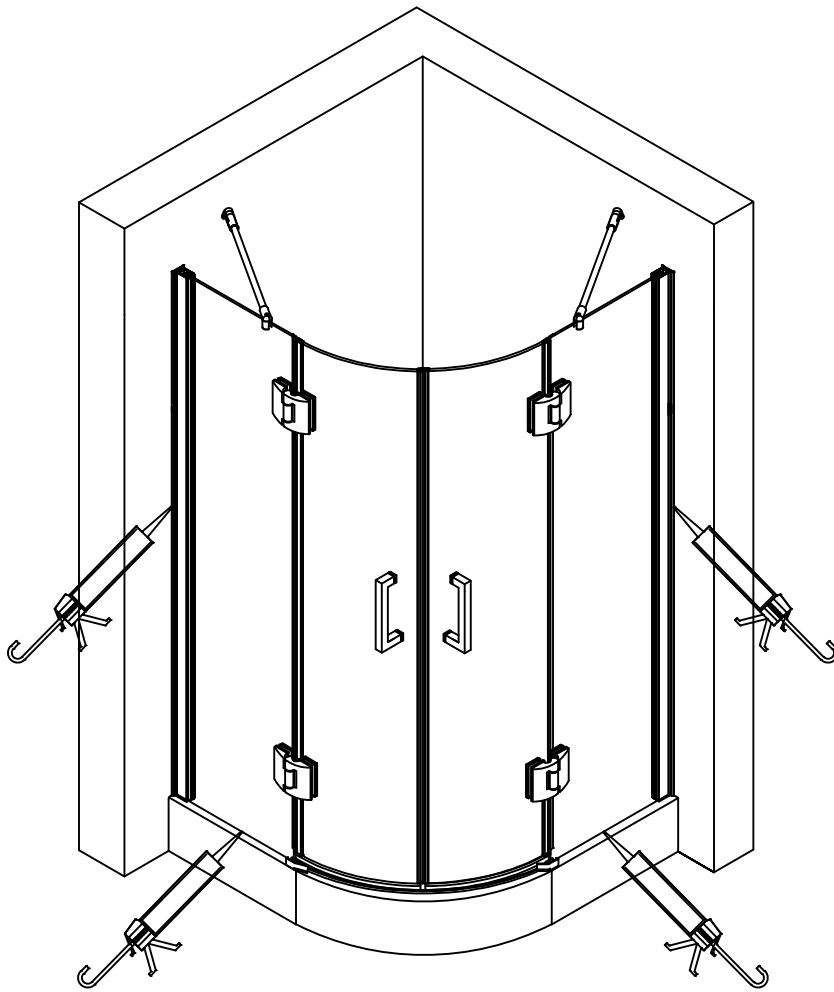
10023 picture 4



10023 picture 5



10023 picture 6



Can't be used within 24H